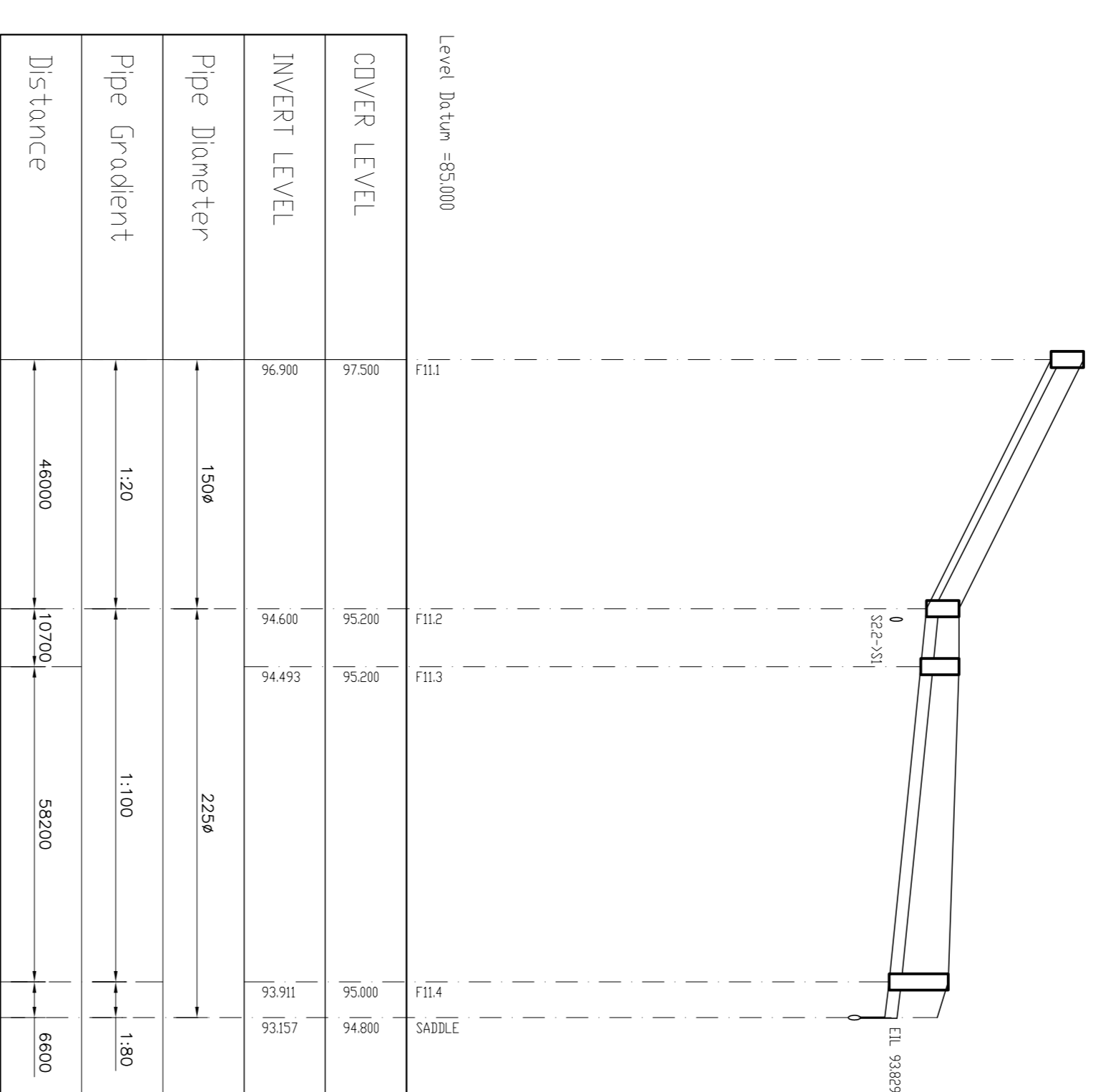
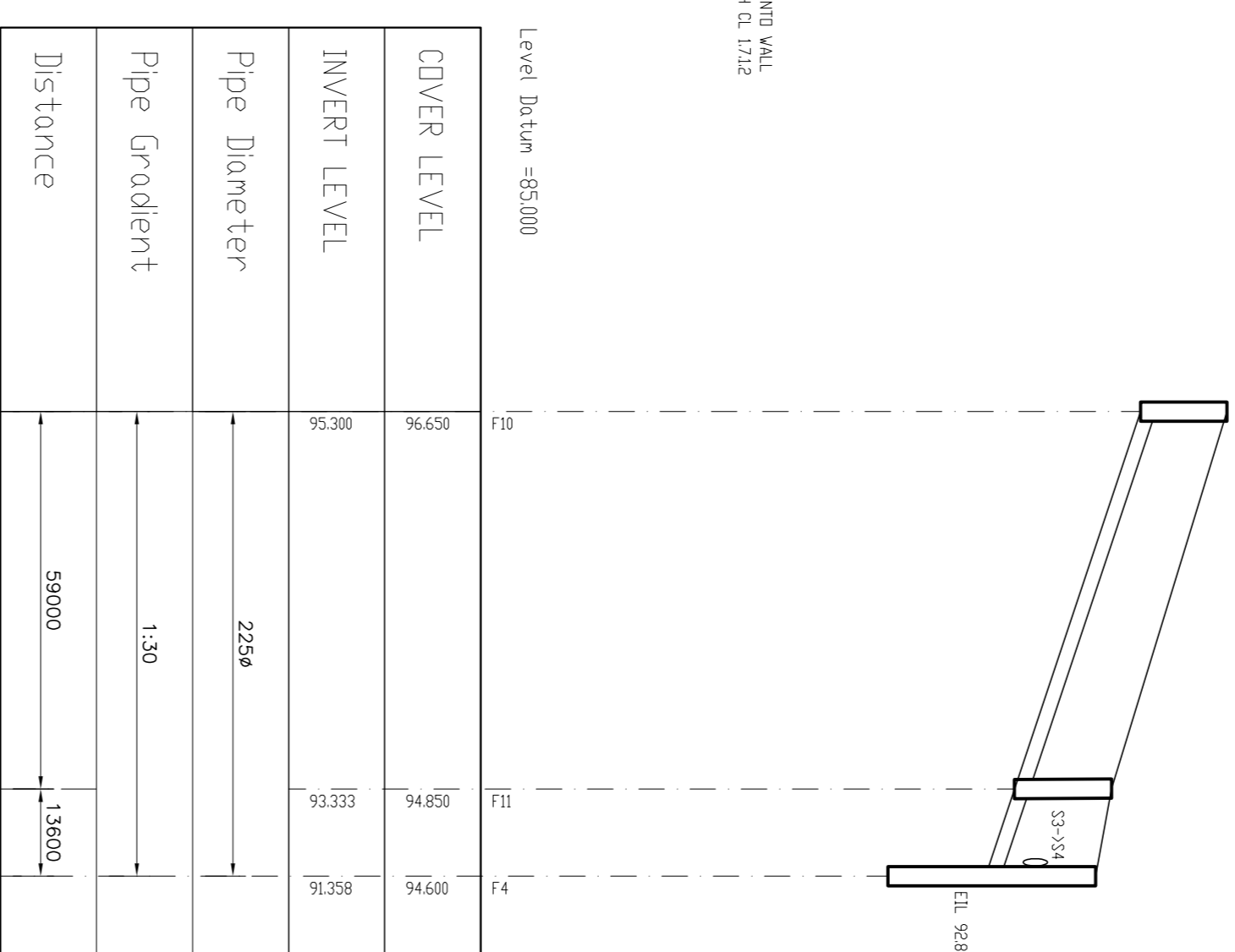
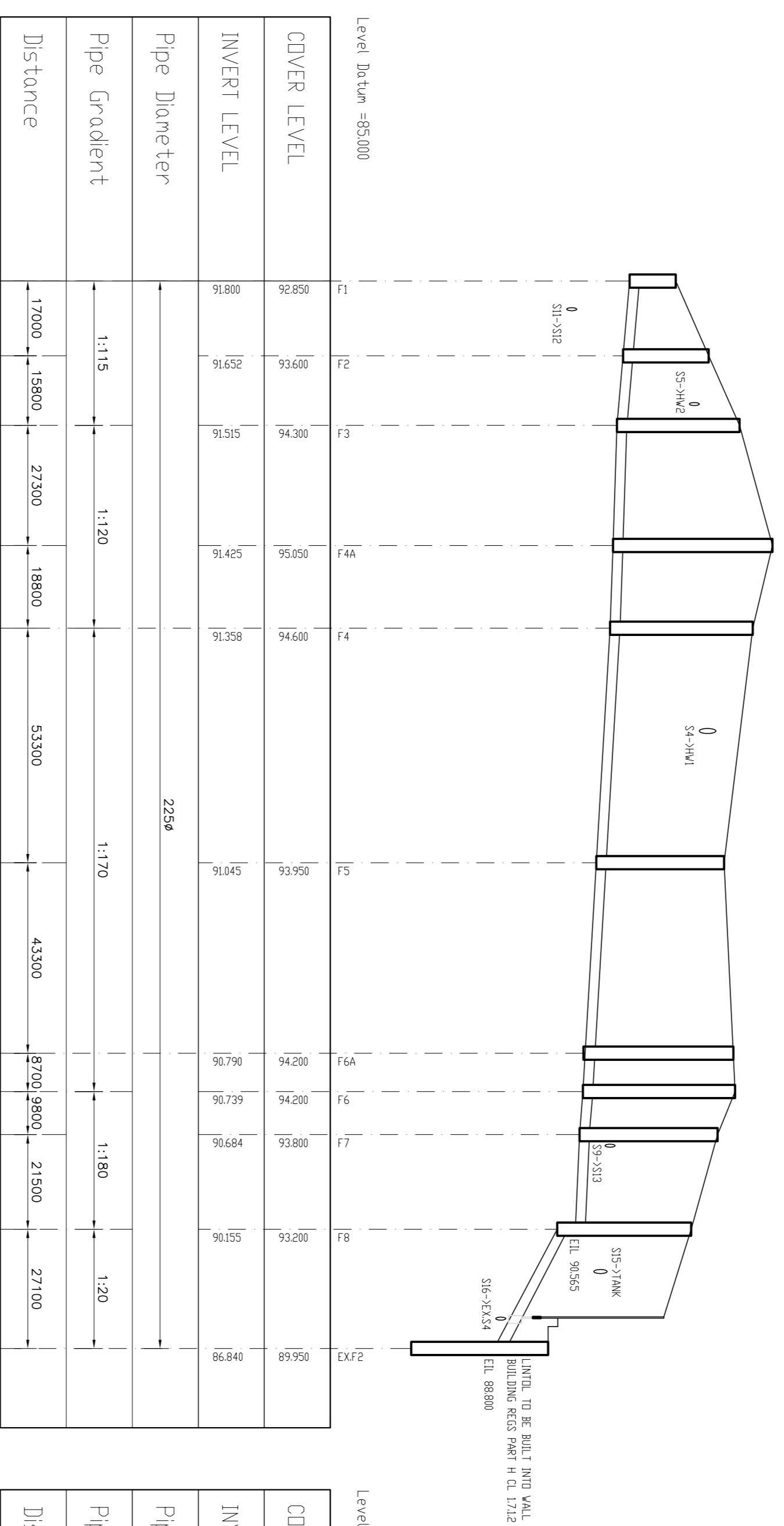


NOTES:
OBA CONSULTING CIVIL & STRUCTURAL ENGINEERS
HAS ASSUMED ALL INFORMATION IS CORRECT AND APPROPRIATE OF THE
CONSULTANTS AND MUST NOT BE REPRODUCED WITHOUT THEIR WRITTEN
CONSENT.

ALL DRAWINGS REMAIN THE PROPERTY OF THE CONSULTANTS.
FIGURED DIMENSIONS ONLY TO BE TAKEN FROM THIS DRAWING.
DO NOT SCALE
ALL DIMENSIONS TO BE CHECKED ON SITE.
CONSULTANTS TO BE INFORMED OF ANY DISCREPANCIES BEFORE WORK
COMMENCES
GENERAL NOTE:
CELLAR ROOF PROTECTION TO BE USED IN ACCORDANCE WITH THE
MANUFACTURERS INSTRUCTIONS AND TO BE CONSTRUCTED FOR THE
PROTECTION OF TREES LOCATED IN CLOSE
PROXIMITY TO PROPOSED EXCAVATIONS.



FOUL LONGITUDINAL SECTION

F1 TO EX.F2

HORIZONTAL SCALE 1:1000

VERTICAL SCALE 1:100

FOUL LONGITUDINAL SECTION

F10 TO F4

HORIZONTAL SCALE 1:1000

VERTICAL SCALE 1:100

FOUL DRAIN LONGITUDINAL SECTION

F111 TO SADDLE

HORIZONTAL SCALE 1:1000

VERTICAL SCALE 1:100

| Rev | Date | Description | By | Checked |
|-----|----------|-----------------------------------|----|---------|
| N | 17.09.21 | NEW SUBMISSION | AM | COB |
| M | 12.10.20 | MH 6A ADDED, LEVELS REVISED | AM | COB |
| L | 06.07.20 | F8-EX.F2 GRADIENT REDUCED TO 1:20 | AM | COB |
| K | 30.06.20 | SECTIONS REVISED | AM | COB |
| J | 24.06.20 | SECTIONS REVISED | AM | COB |
| H | 20.05.19 | SECTIONS REDRAWN | AM | COB |
| G | 29.04.19 | F18 ADDED | AM | COB |
| F | 19.06.18 | F18 ADDED | AM | COB |
| E | 26.04.18 | SECTIONS REVISED | AM | COB |
| D | 16.04.18 | SECTIONS REVISED | AM | COB |
| C | 11.04.18 | SECTIONS REVISED | AM | COB |
| B | 03.04.18 | NOTE ADDED | AM | COB |
| A | 26.02.18 | SECTIONS REVISED | AM | COB |

Client
McCabe Durney Barnes

Project Title
HOUSING/DEVELOPMENT AT STOCKING LANE, BALLYBODEN DUBLIN 16

Drawing Title
FOUL DRAINAGE LONGITUDINAL SECTIONS

Architect
MATT BARNES
Scale: AS SHOWN/DATE: AUG 2017
Drawn: A.MATTIE
Checked: C.CORBEN

The Strand Yard
1, Queen's Quay
T: 01 452 11 0200
www.obaconsulting.ie
E: info@obaconsulting.ie

OBA CONSULTING CIVIL & STRUCTURAL ENGINEERS

Drawing Status
PLANNING
Job Number
50-09
Drawing No.
C10

Revised
N